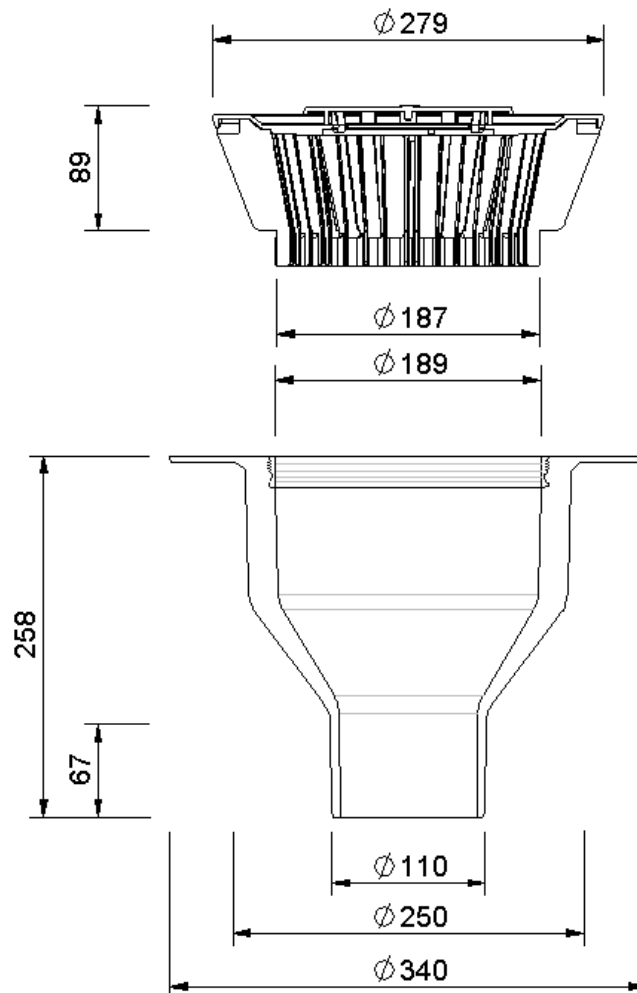


Technical drawing
Sita**Standard** Fluid vertical DN 100



SitaStandard Fluid vertical DN 100, with Adhesive flange
heated

Article number
100590

Changes possible due to technical development, subject to mistakes and printing errors.

Sita Bauelemente GmbH * Ferdinand-Braun-Strasse 1 * 33378 Rheda-Wiedenbrück, Germany * Tel +49 2522 8340-0 * Fax +49 2522 8340-100 * info@sita-bauelemente.de * www.sita-bauelemente.de