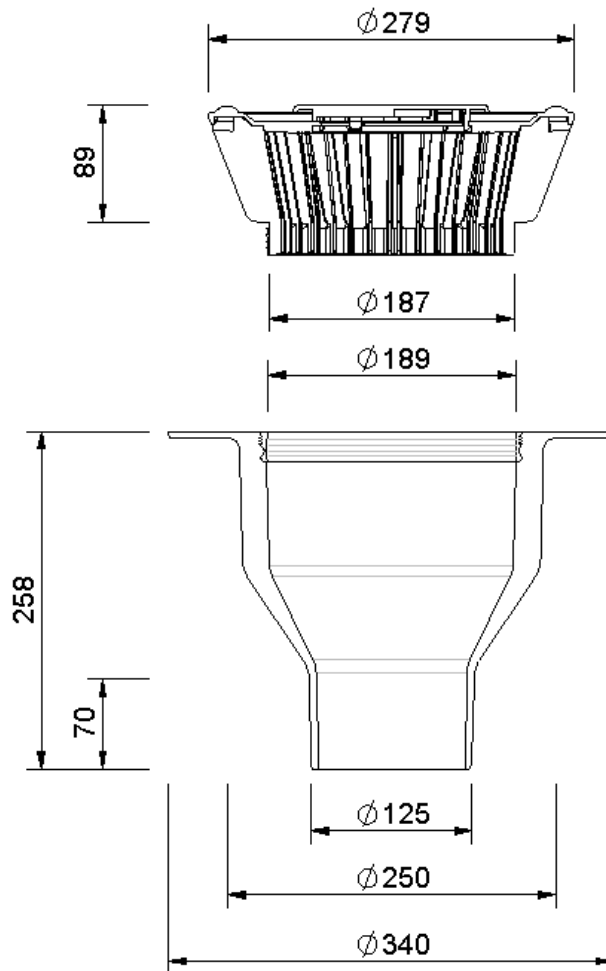


# Technical drawing Sita**Standard** Fluid vertical DN 125



SitaStandard Fluid vertical DN 125, with Adhesive flange  
heated

Article number  
100790

Changes possible due to technical development, subject to mistakes and printing errors.

Sita Bauelemente GmbH \* Ferdinand-Braun-Strasse 1 \* 33378 Rheda-Wiedenbrück, Germany \* Tel +49 2522 8340-0 \* Fax +49 2522 8340-100 \* info@sita-bauelemente.de \* www.sita-bauelemente.de