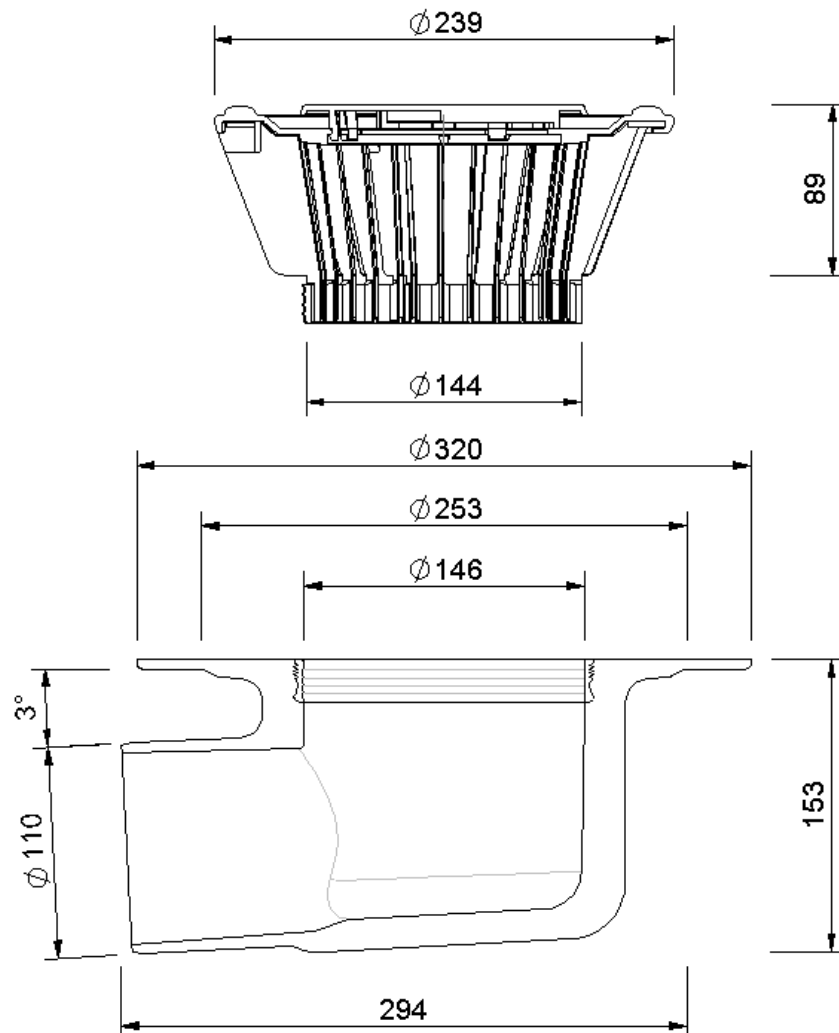


Technical drawing
Sita**Trendy** Fluid angled DN 100



SitaTrendy Fluid angled DN 100, with Adhesive flange
heated

Article number
151790

Changes possible due to technical development, subject to mistakes and printing errors.

Sita Bauelemente GmbH * Ferdinand-Braun-Strasse 1 * 33378 Rheda-Wiedenbrück, Germany * Tel +49 2522 8340-0 * Fax +49 2522 8340-100 * info@sita-bauelemente.de * www.sita-bauelemente.de