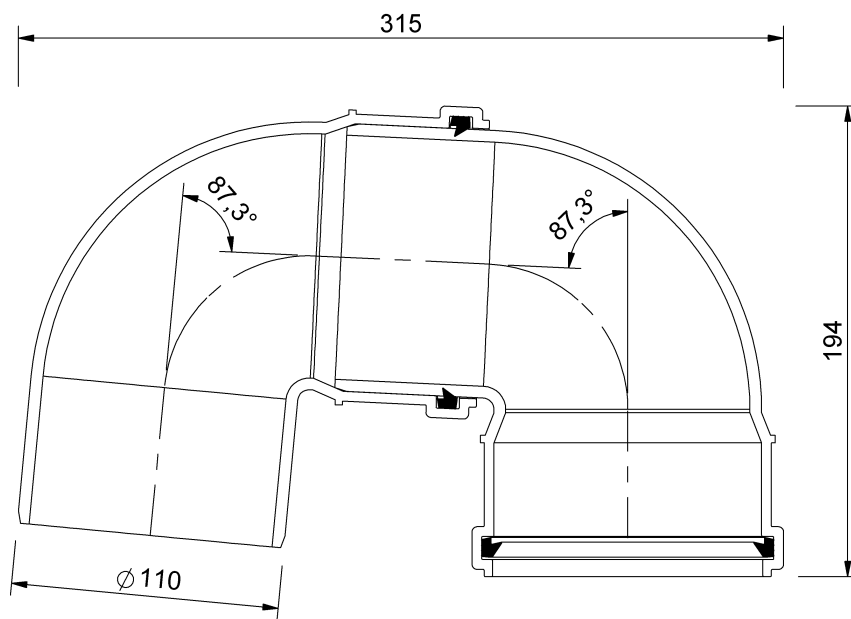


Technical drawing  
Sita**Vent** pipe bend 180° DN 100

---



---

SitaVent pipe bend 180° DN 100, made of Polypropylene

Article number

17900011

---

Changes possible due to technical development, subject to mistakes and printing errors.

Sita Bauelemente GmbH \* Ferdinand-Braun-Strasse 1 \* 33378 Rheda-Wiedenbrück, Germany \* Tel +49 2522 8340-0 \* Fax +49 2522 8340-100 \* info@sita-bauelemente.de \* www.sita-bauelemente.de