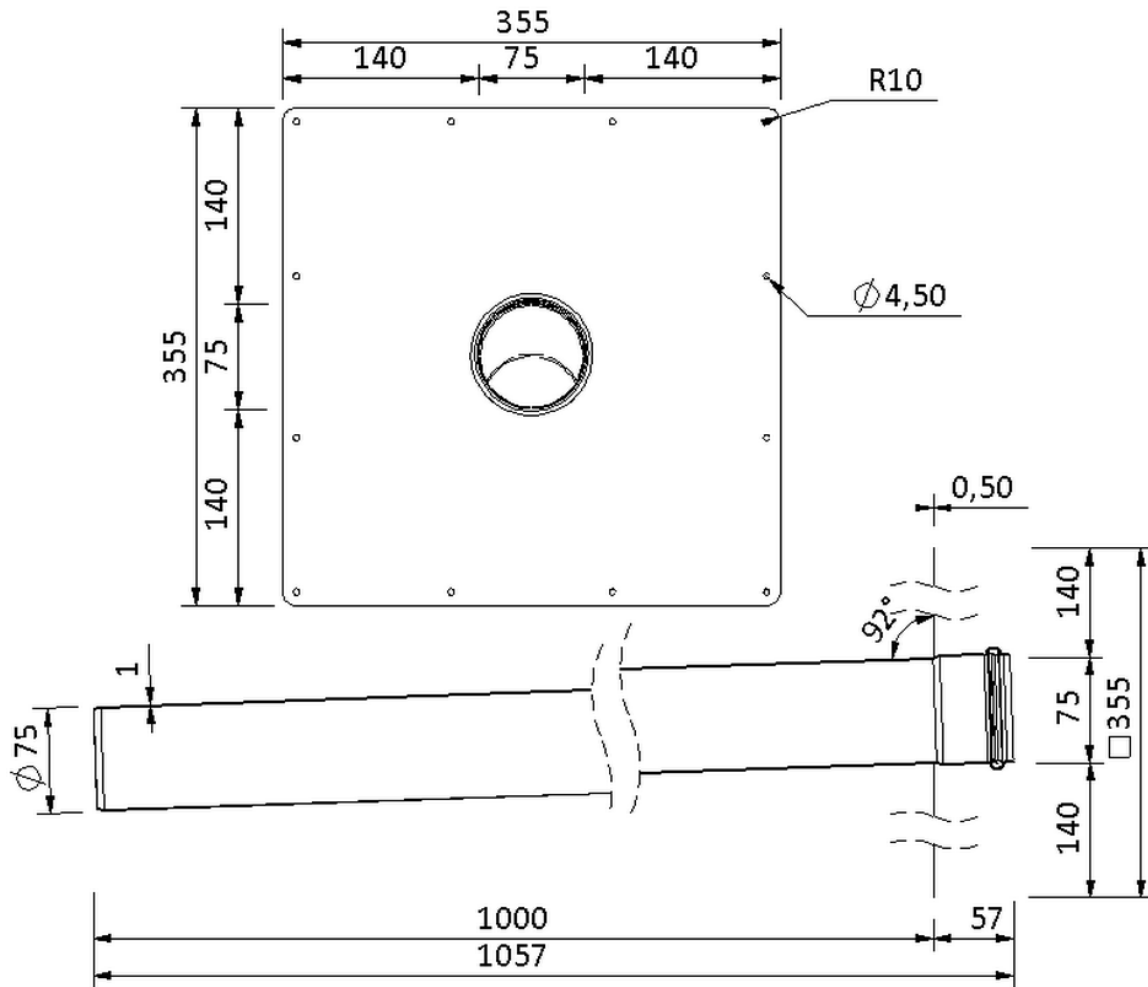


Technical drawing

Sita**Kaskade** lead-through Fluid DN 70



SitaKaskade lead-through Fluid DN 70, made of Rust-free stainless steel

for liquid applied waterproofing

Article number

181599

Changes possible due to technical development, subject to mistakes and printing errors.

Sita Bauelemente GmbH * Ferdinand-Braun-Strasse 1 * 33378 Rheda-Wiedenbrück, Germany * Tel +49 2522 8340-0 * Fax +49 2522 8340-100 * info@sita-bauelemente.de * www.sita-bauelemente.de