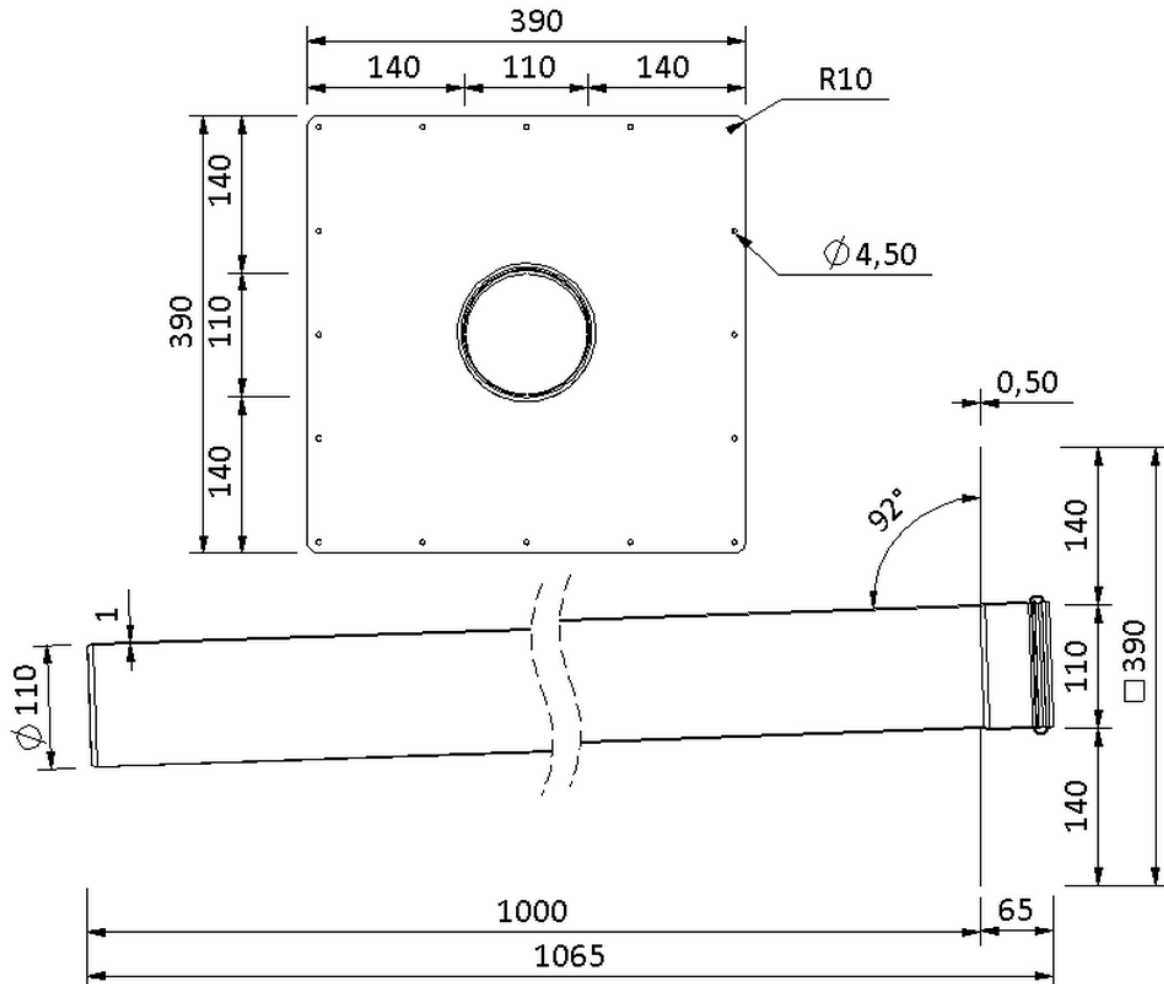


# Technical drawing

## Sita**Kaskade** lead-through Fluid DN 100



SitaKaskade lead-through Fluid DN 100, made of Rust-free stainless steel

for liquid applied waterproofing

Article number

181699

Changes possible due to technical development, subject to mistakes and printing errors.

Sita Bauelemente GmbH \* Ferdinand-Braun-Strasse 1 \* 33378 Rheda-Wiedenbrück, Germany \* Tel +49 2522 8340-0 \* Fax +49 2522 8340-100 \* info@sita-bauelemente.de \* www.sita-bauelemente.de