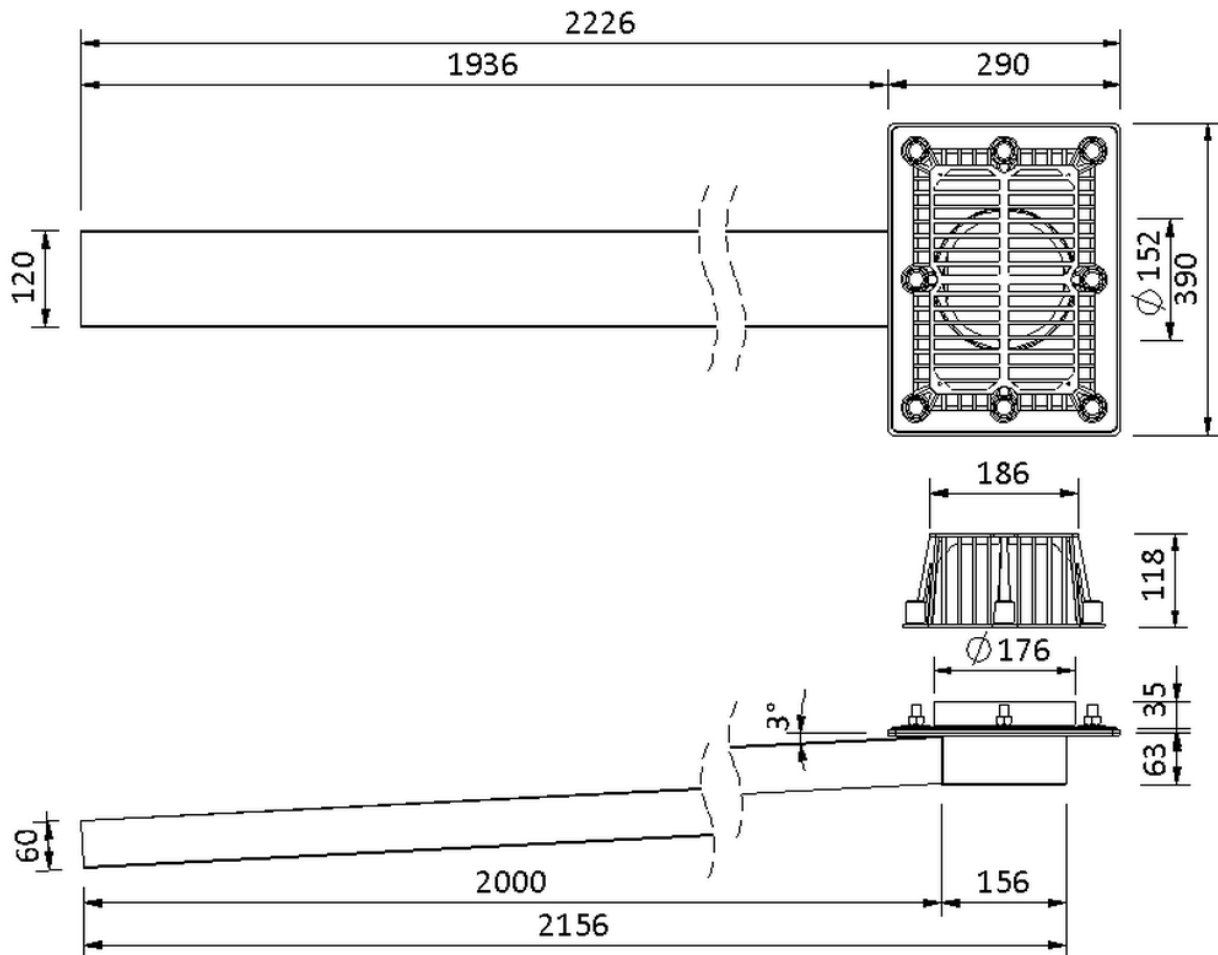


# Technical drawing

## Sita**Turbo** Max with loose flange as a retaining element



SitaTurbo Max with loose flange as a retaining element, pipe length  
2000 mm

35 mm

Article number

18203599

Changes possible due to technical development, subject to mistakes and printing errors.

Sita Bauelemente GmbH \* Ferdinand-Braun-Strasse 1 \* 33378 Rheda-Wiedenbrück, Germany \* Tel +49 2522 8340-0 \* Fax +49 2522 8340-100 \* info@sita-bauelemente.de \* www.sita-bauelemente.de