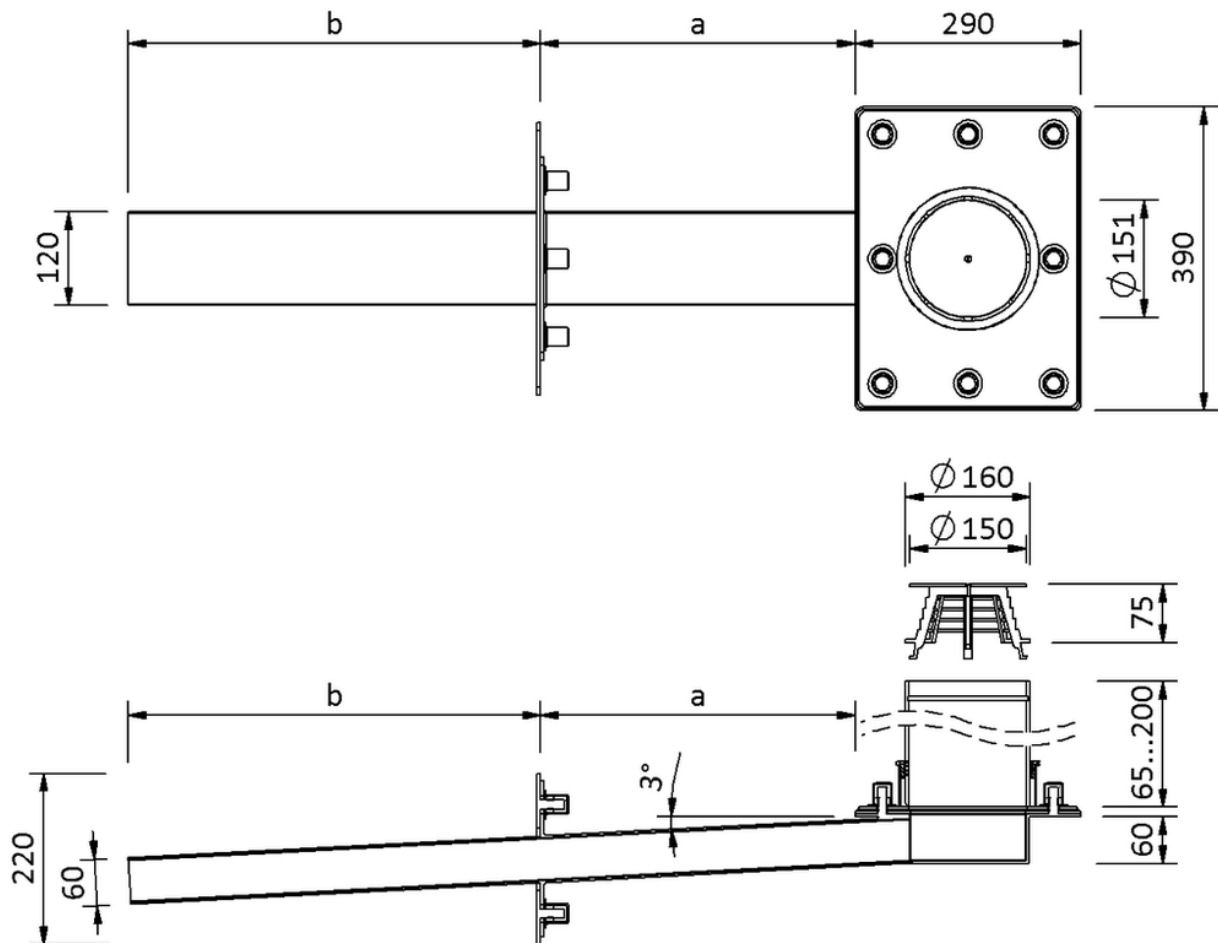


## Technical drawing

### Sita**Turbo** Max inverted roof with retaining ring



SitaTurbo Max inverted roof with retaining ring  
200 mm

Article number  
18216599

Changes possible due to technical development, subject to mistakes and printing errors.

Sita Bauelemente GmbH \* Ferdinand-Braun-Strasse 1 \* 33378 Rheda-Wiedenbrück, Germany \* Tel +49 2522 8340-0 \* Fax +49 2522 8340-100 \* info@sita-bauelemente.de \* www.sita-bauelemente.de