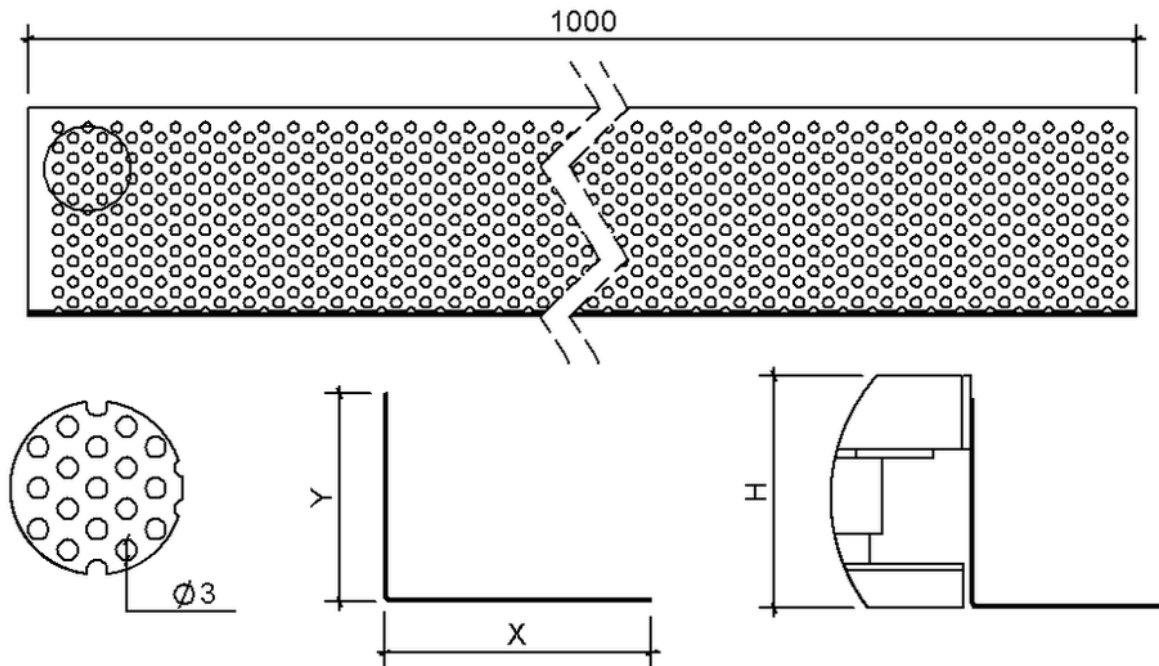


Technical drawing  
Sita**Drain**® gravel strip 145/165



Art.-Nr.	X	Y	H
E211002	90	70	70 - 110 mm
211098	130	110	110 - 130 mm
211099	180	145	145 - 165 mm

SitaDrain® gravel strip 145/165, made of aluminium

Article number

211099

Changes possible due to technical development, subject to mistakes and printing errors.

Sita Bauelemente GmbH \* Ferdinand-Braun-Strasse 1 \* 33378 Rheda-Wiedenbrück, Germany \* Tel +49 2522 8340-0 \* Fax +49 2522 8340-100 \* info@sita-bauelemente.de \* www.sita-bauelemente.de