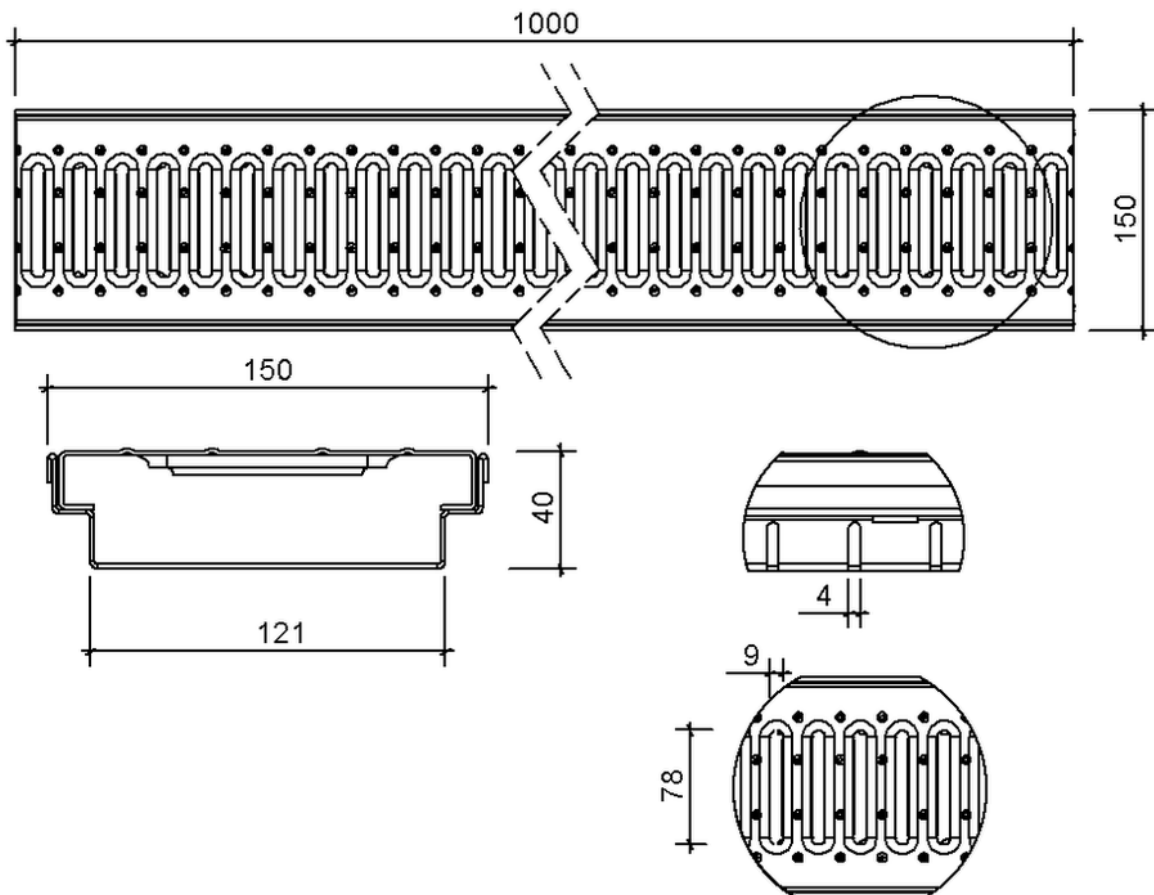


Technical drawing
Sita**Drain**[®] box drain



SitaDrain[®] box drain, 1000 x 150 x 40 mm, made of Galvanised steel
With footbridge

Article number
241540

Changes possible due to technical development, subject to mistakes and printing errors.

Sita Bauelemente GmbH * Ferdinand-Braun-Strasse 1 * 33378 Rheda-Wiedenbrück, Germany * Tel +49 2522 8340-0 * Fax +49 2522 8340-100 * info@sita-bauelemente.de * www.sita-bauelemente.de