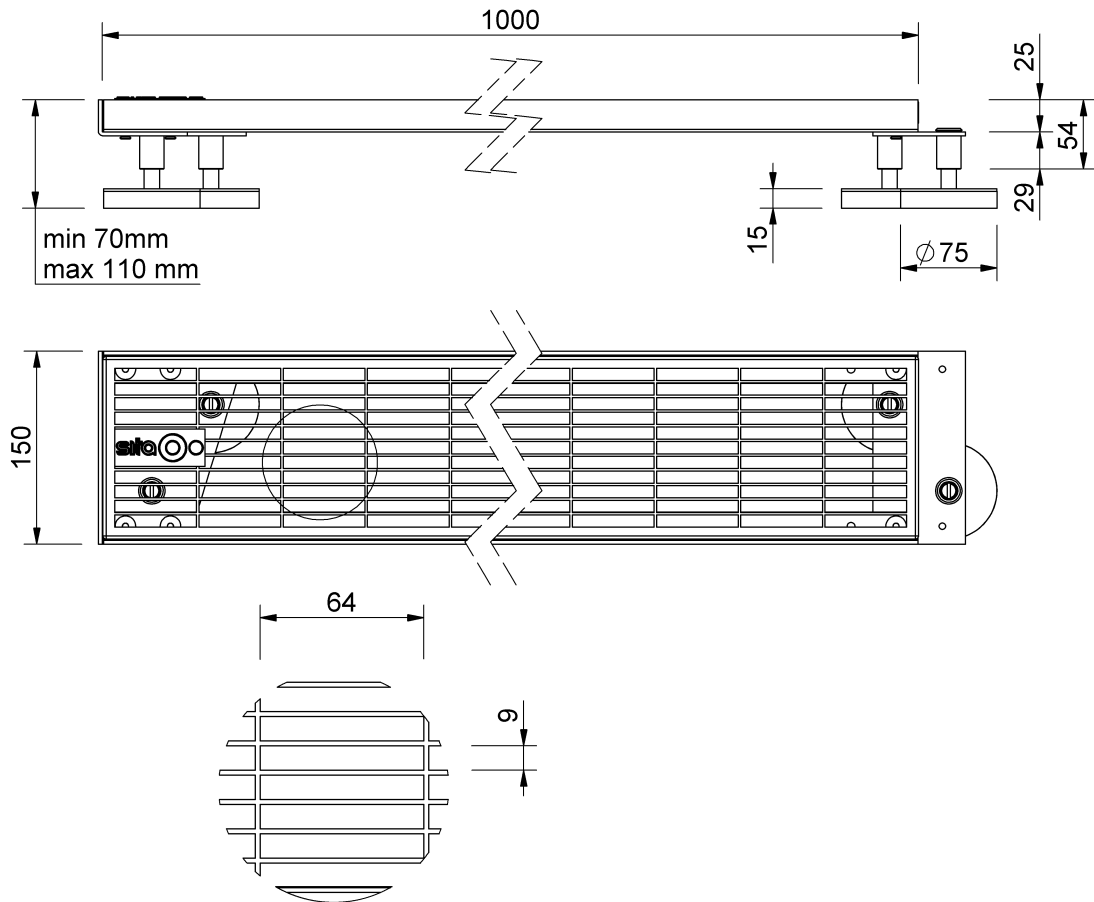


# Technical drawing

## SitaDrain® Endlos initial piece



SitaDrain® Endlos initial piece, 1000 x 150 x 25 mm, made of Galva-  
nised steel

Start piece

Article number

271522

Changes possible due to technical development, subject to mistakes and printing errors.

Sita Bauelemente GmbH \* Ferdinand-Braun-Strasse 1 \* 33378 Rheda-Wiedenbrück, Germany \* Tel +49 2522 8340-0 \* Fax +49 2522 8340-100 \* info@sita-bauelemente.de \* www.sita-bauelemente.de