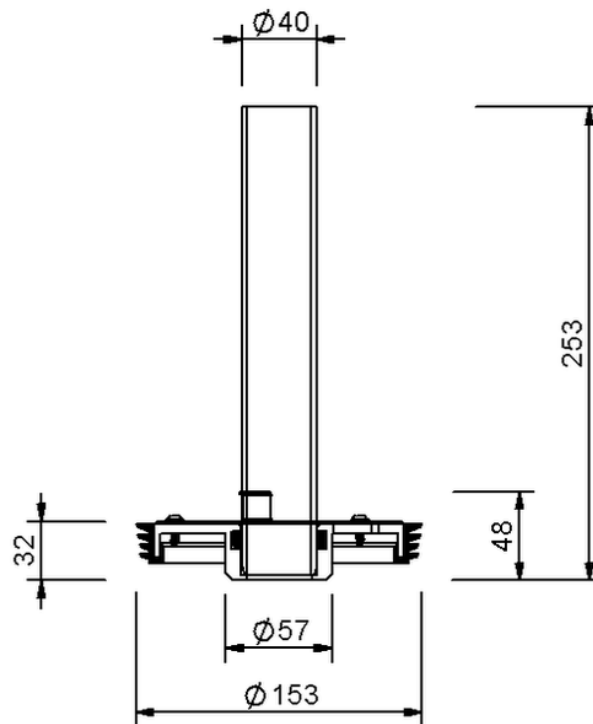


## Technical drawing

### Sita**Retention** Twist without dome grate for SitaTrendy

---



---

SitaRetention Twist without dome grate for SitaTrendy, made of PE-HD, rust-proof stainless steel

Article number

409204

---

Changes possible due to technical development, subject to mistakes and printing errors.

Sita Bauelemente GmbH \* Ferdinand-Braun-Strasse 1 \* 33378 Rheda-Wiedenbrück, Germany \* Tel +49 2522 8340-0 \* Fax +49 2522 8340-100 \* info@sita-bauelemente.de \* www.sita-bauelemente.de