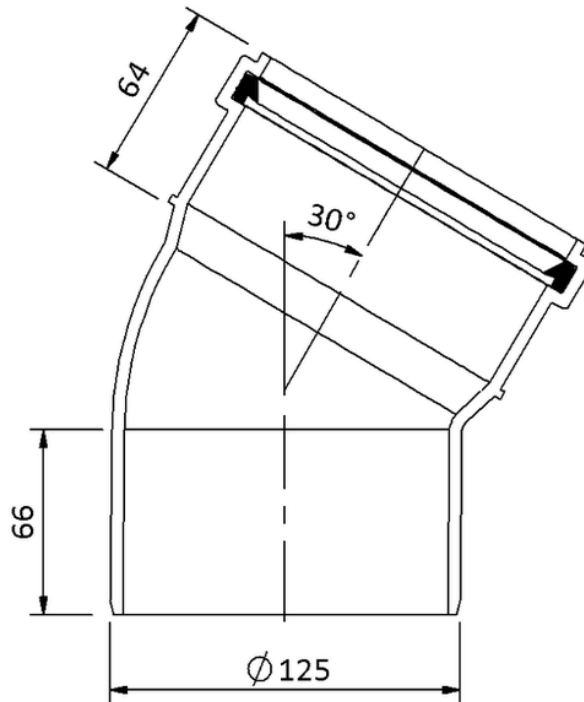


Technical drawing  
Sita**Pipe** PP bend 30° DN 125

---



---

SitaPipe PP bend 30° DN 125, DIN EN 1451-1

Article number

60043012

Changes possible due to technical development, subject to mistakes and printing errors.

Sita Bauelemente GmbH \* Ferdinand-Braun-Strasse 1 \* 33378 Rheda-Wiedenbrück, Germany \* Tel +49 2522 8340-0 \* Fax +49 2522 8340-100 \* info@sita-bauelemente.de \* www.sita-bauelemente.de